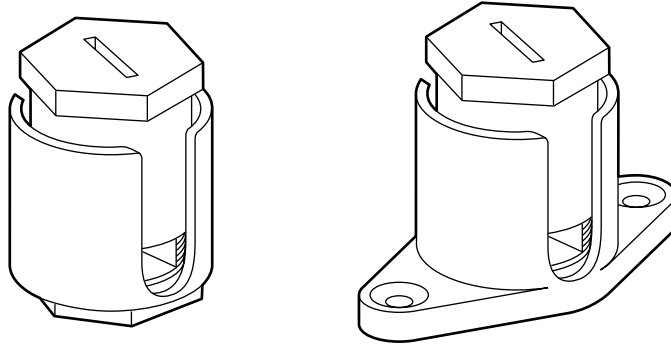


## Non-shear terminals

Catalogue No(s) : 340 30/31/32/33/34/35/40/41/42/43/44/45



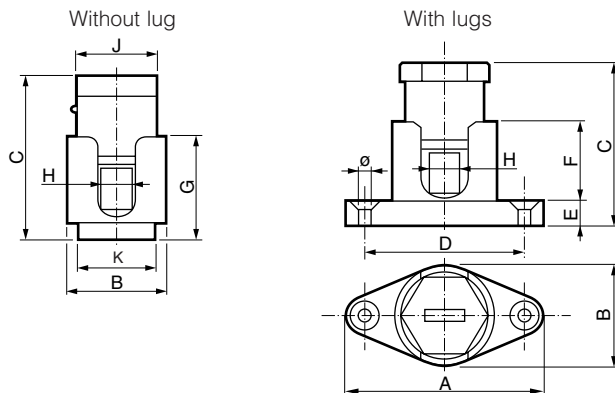
### 1. PRINCIPLE

Non-shear terminals used to connect 2 conductors of identical cross-section, or several conductors whose total cross-section does not exceed the nominal terminal capacity

### 2. RANGE

2 x 6 mm<sup>2</sup> to 2 x 70 mm<sup>2</sup> with and without fixing lug

### 3. DIMENSIONS



Cat. Nos.		Dimensions (mm)										
Without lug	With lugs	A	B	C	D	E	F	G	H	J	K	Ø
340 30	340 40	31	15.7	27	23	4.5	10.5	15	3.3	12	12	3.2
340 31	340 41	35	18.5	37	27	5.5	13.5	19	4.5	14	16	3.2
340 32	340 42	46	22.3	41	37	6	17.5	23.5	6	17	17	3.2
340 33	340 43	48	25.8	49	37	7	20.7	27.7	7.4	20	20	4.2
340 34	340 44	55	30.8	59	44	7.5	25.6	33.1	9.5	24	24	4.2
340 35	340 45	78	40	71	62	9.4	30.9	40.3	11.7	31	31	5.4

### 4. TECHNICAL CHARACTERISTICS

Operating temperature : -5°C to +40°C  
Storage temperature : -10°C to +70°C

#### • Materials

All Cat. Nos : phenolic type PF2 A1  
Cat. Nos. 340 30/40 : polyamide 6.6

#### • Incandescent wire resistance

960°C 30s

#### • Conforming to standard IEC60-999

Cat. Nos. Without lug	Cat. Nos. With lugs	Capacity rigid wire mm <sup>2</sup>		Insulation voltage (kV)	Max. rating (A)	Weight (g)	
		min.	max.				
340 30	340 40	1 x 1.5	2 x 6	2.5	64	8	9
340 31	340 41	1 x 2.5	2 x 10	3	88	15	16
340 32	340 42	1 x 4	2 x 16	3	119	27	30
340 33	340 43	1 x 10	2 x 25	3	157	43	47
340 34	340 44	1 x 16	2 x 50	4	235	75	80
340 35	340 45	1 x 25	2 x 70	4	299	150	160