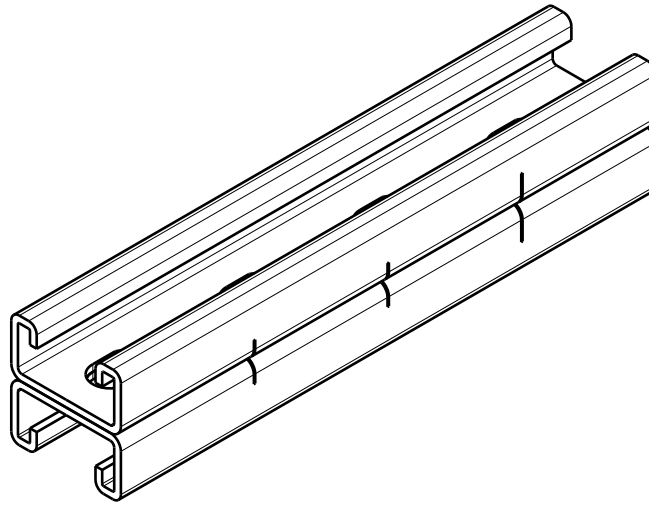


R21D

Reference(s) : 343780-343783-343784



1. RANGE

Ref	Code	Raw material Matière	Standard Normes	Coating Protection	Corrosion class Classe de corrosion	Thickness épaisseur (mm/inch)	L (mm/inch)	Weight Poids (Kg/lb)
R21D 3000 E25 GS	343780	S250GD Z275 MAC	EN 10346	GS	Class 3 according to CEI 61537	2,5 / 0,098"	3000 / 118"	10.5/ 231.5
R21D 3000 E25 GC	343783	S235 JR	EN 10025	GC	Class 6 according to CEI 61537	2,5 / 0,098"	3000 / 118"	11.2/ 246.9
R21D 3000 E25 S6	343784	X2CrNiMo 17-12-2	EN 10088-2	INOX 316L	Class 9B according to CEI 61537	2,5 / 0,098"	3000 / 118"	10.7/ 235.9

2. DIMENSIONS (mm/inch)

