

P31-LEFT/RIGHT HAND OUTSIDE RISER H75 + COVER

Reference(s): AY075./100./150./200./300./400./500./600.(Z,C,G,L)
AZ075./100./150./200./300./400./500./600.(Z,C,G,L)



1. USE

Left/Right hand outside riser in H75 with cover.

2. RANGE

■ 2.1 Left hand outside riser H75 + cover PG

Description	Code	Width		Weight		Thickness		Coating	Section	
		(mm)	(inch)	(Kg)	(lb)	(mm)	(inch)		(mm ²)	(inch ²)
P31-LEFT HAND OUTSIDE RISER 75X75 PG	AY075Z	77	3,03	1,31	2,89	1	0,04	PG	5550	8,60
P31-LEFT HAND OUTSIDE RISER 75X100 PG	AY100Z	100	3,94	1,60	3,53	1	0,04	PG	7252	11,24
P31-LEFT HAND OUTSIDE RISER 75X150 PG	AY150Z	150	5,91	2,54	5,60	1	0,04	PG	10852	16,82
P31-LEFT HAND OUTSIDE RISER 75X200 PG	AY200Z	200	7,87	3,21	7,08	1	0,04	PG	14652	22,71
P31-LEFT HAND OUTSIDE RISER 75X300 PG	AY300Z	300	11,81	5,51	12,15	1	0,04	PG	22052	34,18
P31-LEFT HAND OUTSIDE RISER 75X400 PG	AY400Z	400	15,75	8,84	19,49	1	0,04	PG	29452	45,65
P31-LEFT HAND OUTSIDE RISER 75X500 PG	AY500Z	500	19,69	12,22	26,95	1	0,04	PG	36852	57,12
P31-LEFT HAND OUTSIDE RISER 75X600 PG	AY600Z	600	23,62	15,51	34,20	1	0,04	PG	44252	68,59

■ 2.2 Left hand outside riser H75 + cover HDG

Description	Code	Width		Weight		Thickness		Coating	Section	
		(mm)	(inch)	(Kg)	(lb)	(mm)	(inch)		(mm ²)	(inch ²)
P31-LEFT HAND OUTSIDE RISER 75X75 HDG	AY075C	77	3,03	1,44	3,18	1	0,04	HDG	5550	8,60
P31-LEFT HAND OUTSIDE RISER 75X100 HDG	AY100C	100	3,94	1,76	3,88	1	0,04	HDG	7252	11,24
P31-LEFT HAND OUTSIDE RISER 75X150 HDG	AY150C	150	5,91	2,79	6,15	1	0,04	HDG	10852	16,82
P31-LEFT HAND OUTSIDE RISER 75X200 HDG	AY200C	200	7,87	3,53	7,79	1	0,04	HDG	14652	22,71
P31-LEFT HAND OUTSIDE RISER 75X300 HDG	AY300C	300	11,81	6,06	13,36	1	0,04	HDG	22052	34,18
P31-LEFT HAND OUTSIDE RISER 75X400 HDG	AY400C	400	15,75	9,72	21,44	1	0,04	HDG	29452	45,65
P31-LEFT HAND OUTSIDE RISER 75X500 HDG	AY500C	500	19,69	13,45	29,64	1	0,04	HDG	36852	57,12
P31-LEFT HAND OUTSIDE RISER 75X600 HDG	AY600C	600	23,62	17,06	37,62	1	0,04	HDG	44252	68,59

■ 2.3 Left hand outside riser H75 + cover BLUE

Description	Code	Width		Weight		Thickness		Coating	Section	
		(mm)	(inch)	(Kg)	(lb)	(mm)	(inch)		(mm ²)	(inch ²)
P31-LEFT HAND OUTSIDE RISER 75X75 BLUE	AY075G	77	3,03	1,31	2,89	1	0,04	BLUE	5550	8,60
P31-LEFT HAND OUTSIDE RISER 75X100 BLUE	AY100G	100	3,94	1,60	3,53	1	0,04	BLUE	7252	11,24
P31-LEFT HAND OUTSIDE RISER 75X150 BLUE	AY150G	150	5,91	2,54	5,60	1	0,04	BLUE	10852	16,82
P31-LEFT HAND OUTSIDE RISER 75X200 BLUE	AY200G	200	7,87	3,21	7,08	1	0,04	BLUE	14652	22,71
P31-LEFT HAND OUTSIDE RISER 75X300 BLUE	AY300G	300	11,81	5,51	12,15	1	0,04	BLUE	22052	34,18
P31-LEFT HAND OUTSIDE RISER 75X400 BLUE	AY400G	400	15,75	8,84	19,49	1	0,04	BLUE	29452	45,65
P31-LEFT HAND OUTSIDE RISER 75X500 BLUE	AY500G	500	19,69	12,22	26,95	1	0,04	BLUE	36852	57,12
P31-LEFT HAND OUTSIDE RISER 75X600 BLUE	AY600G	600	23,62	15,51	34,20	1	0,04	BLUE	44252	68,59

P31-LEFT/RIGHT HAND OUTSIDE RISER H75 + COVER

Reference(s): AY075./100./150./200./300./400./500./600.(Z,C,G,L)
AZ075./100./150./200./300./400./500./600.(Z,C,G,L)

■ 2.4 Left hand outside riser H75 + cover SS 316L

Description	Code	Width		Weight		Thickness		Coating	Section	
		(mm)	(inch)	(Kg)	(lb)	(mm)	(inch)		(mm ²)	(inch ²)
P31-LEFT HAND OUTSIDE RISER 75X75 SS 316L	AY075L	77	3,03	1,31	2,89	1	0,04	SS 316L	5550	8,60
P31-LEFT HAND OUTSIDE RISER 75X100 SS 316L	AY100L	100	3,94	1,60	3,53	1	0,04	SS 316L	7252	11,24
P31-LEFT HAND OUTSIDE RISER 75X150 SS 316L	AY150L	150	5,91	2,54	5,60	1	0,04	SS 316L	10852	16,82
P31-LEFT HAND OUTSIDE RISER 75X200 SS 316L	AY200L	200	7,87	3,21	7,08	1	0,04	SS 316L	14652	22,71
P31-LEFT HAND OUTSIDE RISER 75X300 SS 316L	AY300L	300	11,81	5,51	12,15	1	0,04	SS 316L	22052	34,18
P31-LEFT HAND OUTSIDE RISER 75X400 SS 316L	AY400L	400	15,75	8,84	19,49	1	0,04	SS 316L	29452	45,65
P31-LEFT HAND OUTSIDE RISER 75X500 SS 316L	AY500L	500	19,69	12,22	26,95	1	0,04	SS 316L	36852	57,12
P31-LEFT HAND OUTSIDE RISER 75X600 SS 316L	AY600L	600	23,62	15,51	34,20	1	0,04	SS 316L	44252	68,59

■ 2.5 Right hand outside riser H75 + cover PG

Description	Code	Width		Weight		Thickness		Coating	Section	
		(mm)	(inch)	(Kg)	(lb)	(mm)	(inch)		(mm ²)	(inch ²)
P31-RIGHT HAND OUTSIDE RISER 75X75 PG	AZ075Z	77	3,03	1,31	2,89	1	0,04	PG	5550	8,60
P31-RIGHT HAND OUTSIDE RISER 75X100 PG	AZ100Z	100	3,94	1,60	3,53	1	0,04	PG	7252	11,24
P31-RIGHT HAND OUTSIDE RISER 75X150 PG	AZ150Z	150	5,91	2,54	5,60	1	0,04	PG	10852	16,82
P31-RIGHT HAND OUTSIDE RISER 75X200 PG	AZ200Z	200	7,87	3,21	7,08	1	0,04	PG	14652	22,71
P31-RIGHT HAND OUTSIDE RISER 75X300 PG	AZ300Z	300	11,81	5,51	12,15	1	0,04	PG	22052	34,18
P31-RIGHT HAND OUTSIDE RISER 75X400 PG	AZ400Z	400	15,75	8,84	19,49	1	0,04	PG	29452	45,65
P31-RIGHT HAND OUTSIDE RISER 75X500 PG	AZ500Z	500	19,69	12,22	26,95	1	0,04	PG	36852	57,12
P31-RIGHT HAND OUTSIDE RISER 75X600 PG	AZ600Z	600	23,62	15,51	34,20	1	0,04	PG	44252	68,59

■ 2.6 Right hand outside riser H75 + cover HDG

Description	Code	Width		Weight		Thickness		Coating	Section	
		(mm)	(inch)	(Kg)	(lb)	(mm)	(inch)		(mm ²)	(inch ²)
P31-RIGHT HAND OUTSIDE RISER 75X75 HDG	AZ075C	77	3,03	1,44	3,18	1	0,04	HDG	5550	8,60
P31-RIGHT HAND OUTSIDE RISER 75X100 HDG	AZ100C	100	3,94	1,76	3,88	1	0,04	HDG	7252	11,24
P31-RIGHT HAND OUTSIDE RISER 75X150 HDG	AZ150C	150	5,91	2,79	6,15	1	0,04	HDG	10852	16,82
P31-RIGHT HAND OUTSIDE RISER 75X200 HDG	AZ200C	200	7,87	3,53	7,79	1	0,04	HDG	14652	22,71
P31-RIGHT HAND OUTSIDE RISER 75X300 HDG	AZ300C	300	11,81	6,06	13,36	1	0,04	HDG	22052	34,18
P31-RIGHT HAND OUTSIDE RISER 75X400 HDG	AZ400C	400	15,75	9,72	21,44	1	0,04	HDG	29452	45,65
P31-RIGHT HAND OUTSIDE RISER 75X500 HDG	AZ500C	500	19,69	13,45	29,64	1	0,04	HDG	36852	57,12
P31-RIGHT HAND OUTSIDE RISER 75X600 HDG	AZ600C	600	23,62	17,06	37,62	1	0,04	HDG	44252	68,59

■ 2.7 Right hand outside riser H75 + cover BLUE

Description	Code	Width		Weight		Thickness		Coating	Section	
		(mm)	(inch)	(Kg)	(lb)	(mm)	(inch)		(mm ²)	(inch ²)
P31-RIGHT HAND OUTSIDE RISER 75X75 BLUE	AZ075G	77	3,03	1,31	2,89	1	0,04	BLUE	5550	8,60
P31-RIGHT HAND OUTSIDE RISER 75X100 BLUE	AZ100G	100	3,94	1,60	3,53	1	0,04	BLUE	7252	11,24
P31-RIGHT HAND OUTSIDE RISER 75X150 BLUE	AZ150G	150	5,91	2,54	5,60	1	0,04	BLUE	10852	16,82
P31-RIGHT HAND OUTSIDE RISER 75X200 BLUE	AZ200G	200	7,87	3,21	7,08	1	0,04	BLUE	14652	22,71
P31-RIGHT HAND OUTSIDE RISER 75X300 BLUE	AZ300G	300	11,81	5,51	12,15	1	0,04	BLUE	22052	34,18
P31-RIGHT HAND OUTSIDE RISER 75X400 BLUE	AZ400G	400	15,75	8,84	19,49	1	0,04	BLUE	29452	45,65
P31-RIGHT HAND OUTSIDE RISER 75X500 BLUE	AZ500G	500	19,69	12,22	26,95	1	0,04	BLUE	36852	57,12
P31-RIGHT HAND OUTSIDE RISER 75X600 BLUE	AZ600G	600	23,62	15,51	34,20	1	0,04	BLUE	44252	68,59

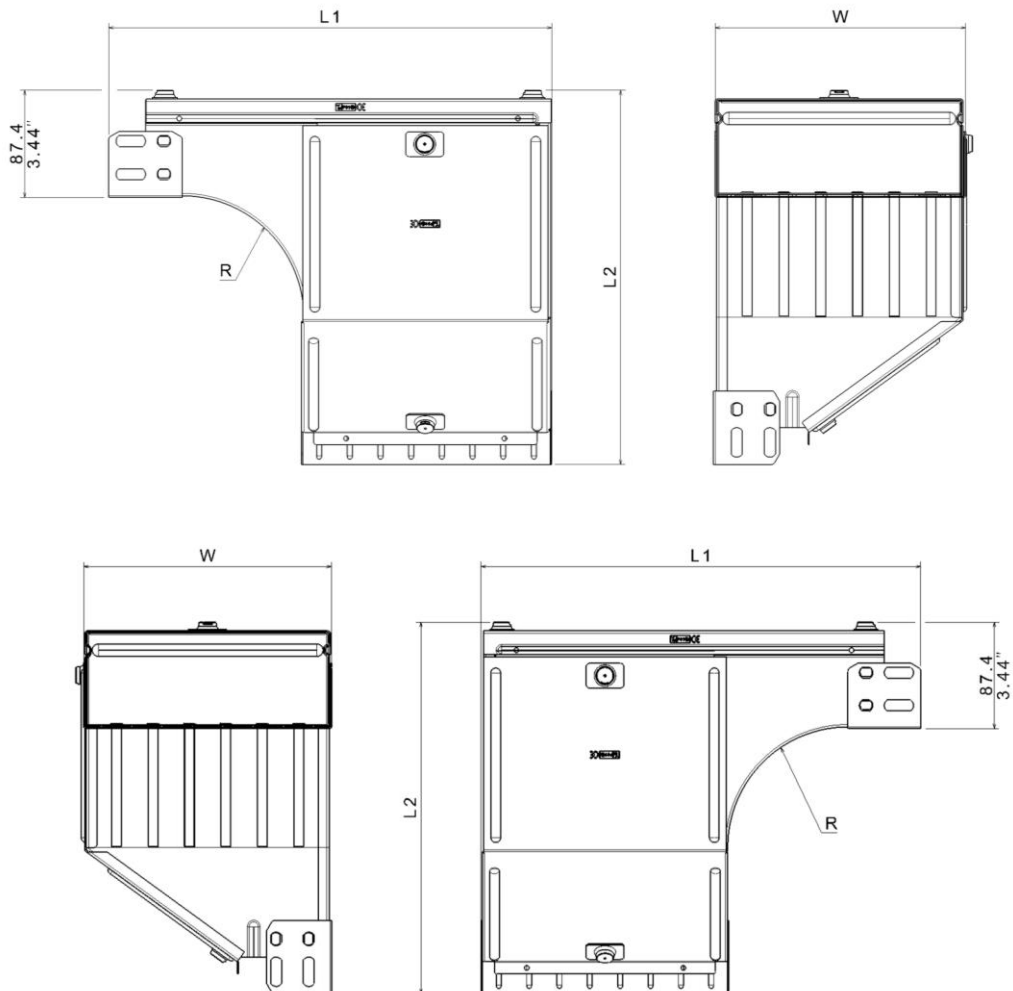
■ 2.7 Right hand outside riser H75 + cover SS 316L

Description	Code	Width		Weight		Thickness		Coating	Section	
		(mm)	(inch)	(Kg)	(lb)	(mm)	(inch)		(mm ²)	(inch ²)
P31-RIGHT HAND OUTSIDE RISER 75X75 SS 316L	AZ075L	77	3,03	1,31	2,89	1	0,04	SS 316L	5550	8,60
P31-RIGHT HAND OUTSIDE RISER 75X100 SS 316L	AZ100L	100	3,94	1,60	3,53	1	0,04	SS 316L	7252	11,24
P31-RIGHT HAND OUTSIDE RISER 75X150 SS 316L	AZ150L	150	5,91	2,54	5,60	1	0,04	SS 316L	10852	16,82
P31-RIGHT HAND OUTSIDE RISER 75X200 SS 316L	AZ200L	200	7,87	3,21	7,08	1	0,04	SS 316L	14652	22,71
P31-RIGHT HAND OUTSIDE RISER 75X300 SS 316L	AZ300L	300	11,81	5,51	12,15	1	0,04	SS 316L	22052	34,18
P31-RIGHT HAND OUTSIDE RISER 75X400 SS 316L	AZ400L	400	15,75	8,84	19,49	1	0,04	SS 316L	29452	45,65
P31-RIGHT HAND OUTSIDE RISER 75X500 SS 316L	AZ500L	500	19,69	12,22	26,95	1	0,04	SS 316L	36852	57,12
P31-RIGHT HAND OUTSIDE RISER 75X600 SS 316L	AZ600L	600	23,62	15,51	34,20	1	0,04	SS 316L	44252	68,59

3. DIMENSIONS (mm/inch)

■ 3.1 Fitting dimensions

Description	Width		Radius		L1		L2	
	(mm)	(inch)	(mm)	(inch)	(mm)	(inch)	(mm)	(inch)
P31-LEFT/RIGHT HAND OUTSIDE RISER 75X75	82	3,23	99	3,90	239	9,41	245	9,65
P31-LEFT/RIGHT HAND OUTSIDE RISER 75X100	104	4,09	99	3,90	259	10,20	275	10,83
P31-LEFT/RIGHT HAND OUTSIDE RISER 75X150	154	6,06	99	3,90	312	12,28	305	12,01
P31-LEFT/RIGHT HAND OUTSIDE RISER 75X200	204	8,03	99	3,90	361	14,21	305	12,01
P31-LEFT/RIGHT HAND OUTSIDE RISER 75X300	304	11,97	99	3,90	462	18,19	303	11,93
P31-LEFT/RIGHT HAND OUTSIDE RISER 75X400	404	15,91	149	5,87	632	24,88	413	16,26
P31-LEFT/RIGHT HAND OUTSIDE RISER 75X500	504	19,84	149	5,87	732	28,82	413	16,26
P31-LEFT/RIGHT HAND OUTSIDE RISER 75X600	604	23,78	149	5,87	832	32,76	413	16,26



4. INSTALLATION

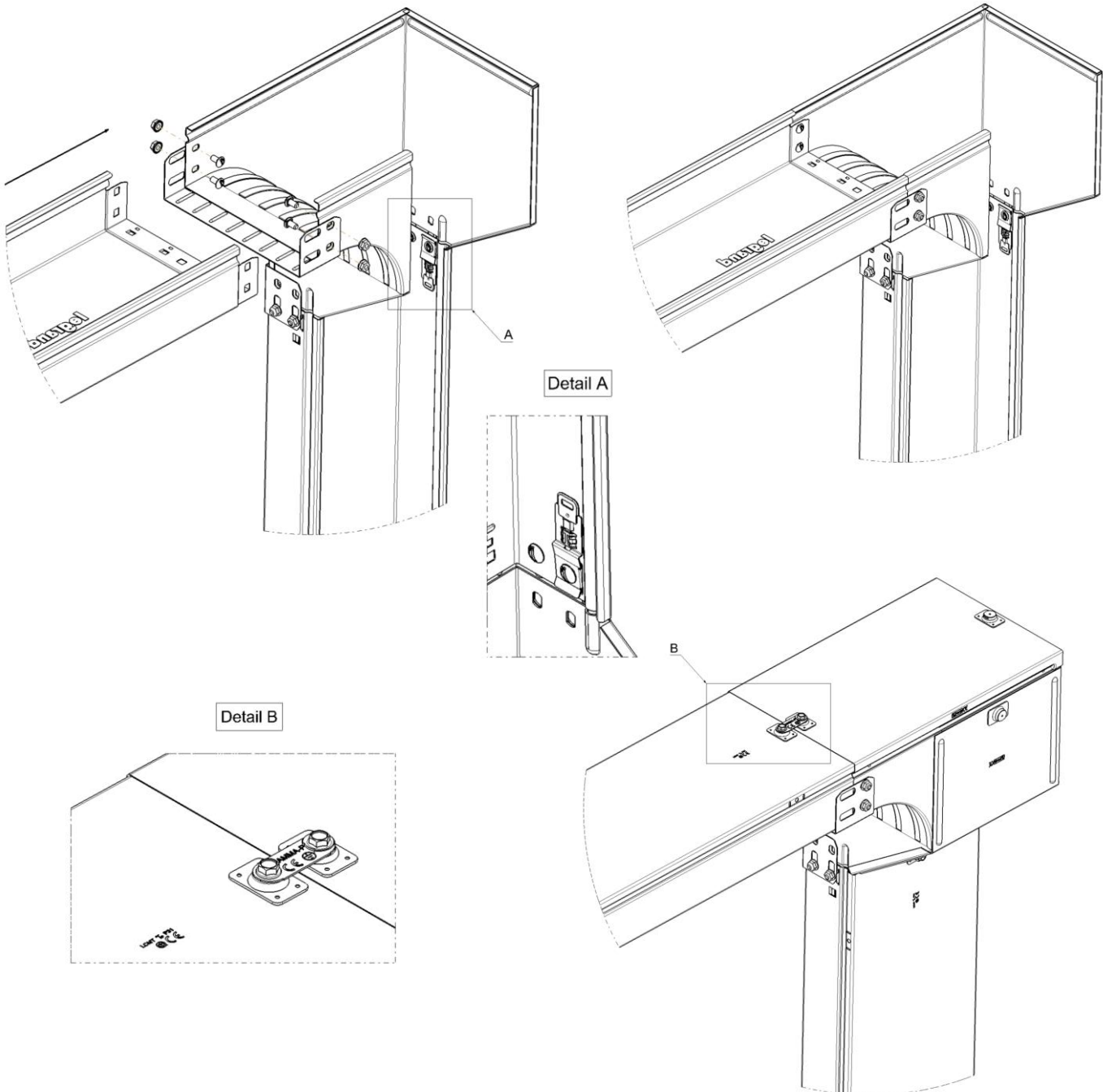
■ 4.1 Screw

Use screws M6x12 tightened at 11Nm

Reference(s): 341895/ 03V1M610Z (PG)
485035 (Zn-Ni)
346895/ 03V1M610L (SS316L)
341708 / 31X99X999 (PG)
346474 / 31X99X99X (SS316L)

■ 4.2 Fitting to cable tray

Left and right hand outside riser height 75 are assembled using 8 screws M6x12 on the side.
Join all covers by earth connection using copper plate or cable to guarantee electrical continuity.



5. TECHNICAL DATA

■ 5.1 Climatic characteristics

Storage and operating temperature: - 20° C à + 120° C

■ 5.2 Material characteristics

Material finish	Material	Standard	Resistance class against corrosion
PG	DX51D + Z200	EN 10346	Classe 3 - CEI 61537
BLUE	DX51D + Z200	EN 10346	Classe 3 - CEI 61537
HDG	DC 01	EN 10130	Classe 6 - CEI 61537
SS304	X5CrNi18-10	EN 10 088-2	Classe 9A - CEI 61537
SS316L	X2CrNiMo17-12-2	EN 10 088-2	Classe 9B - CEI 61537

6. CONFORMITY - CERTIFICATION

Comply with CEI 61537 Cable tray systems
Certification: CE, IMQ