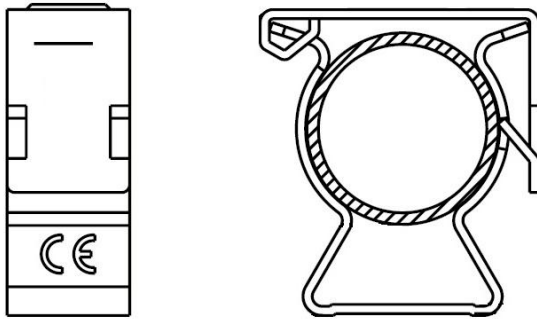


CLIKO metal clamps

Galvanized steel

Item codes : from 387080 to 387085



SUMMARY

PAGES

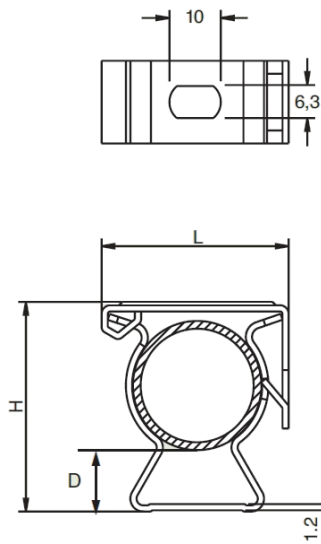
1. Description and applications	1
2. Dimensions and compatibility	1
3. Technical features	1
4. Environmental profile	1
5. Conformity and approvals	1

1. DESCRIPTION AND APPLICATIONS

Patented quick galvanized steel clamp for a fast and safe fixing of TAZ rigid conduits; with a hinged snapping cover it is suitable for most applications and it ensures the fixing of pipes on most surfaces. It ensures high mechanical and thermal performances and a good resistance to vibration. Used together with TAZ conduits it guarantees a good tightening and a easy use thanks to the slot on the bottom to allows a correct alignment.

2. DIMENSIONS AND COMPATIBILITY

Dimensions and packaging:

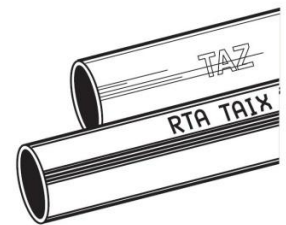


Item	Conduit diameter [mm]*	Dimensions [mm]			Pack [pcs]
		L	H	D	
387080	16	27,0	30,0	10,0	50
387081	20	31,0	34,0	10,0	50
387082	25	37,0	40,0	10,0	40
387083	32	42,0	45,0	10,0	30
387084	40	50,0	60,0	10,0	20
387085	50	62,0	67,0	10,0	20

* External diameter of the pipe

Compatibility:

Conduits TAZ and TAIX series.



3. TECHNICAL FEATURES

Raw material:

Galvanized steel Fe50 in according to UNI 5961-67.

Resistance test:

> 450 N for 48 hours in hanging load test.

Electric properties:

Electric continuity guaranteed.

4. ENVIRONMENTAL PROFILE

All the items identified in this technical sheet respect in terms of concentration of substances and raw materials the European legislations about dangerous and forbidden substances and chemical preparations.

5. CONFORMITY AND APPROVALS



All the items identified in this technical sheet are compliant to all the requirements and the regulations currently in force in the European Union about safety, health and environmental issues.

For technical documentation, test reports, commercial information or any other needs please refer to the local LEGRAND office.