**E315PS72**  
**E315PSC72****E315PS54**  
**E315PSC54**  
**E315PBS54****E315PS6****E315P36D3****E315P24****E315P12****E315P8**

Contents	Page
1. Description, use .....	2
2. Range .....	2
3. Dimensions .....	2
4. General characteristics .....	4
5. Compliance and approvals .....	6
6. Installation add-ons .....	7

# Linea HABITA flush-mounting cabinets without terminal block

Cat. No(s) :  
E315PS6 - E315P8 - E315P12 - E315P24 - E315P36D3 -  
E315PS54 - E315PSC54 - E315PBS54 - E315PS72 - E315PSC72

## 1. DESCRIPTION - USE

Flush-mounting cabinets with 1 to 4 rows, 6 to 8 modules depending on the model, for residential and small commercial installations.

Two doors finishes : transparent (smoked) and white

Flush-mounted in masonry walls with shallow box :

6-3x18M-4x18M depth 72mm

8-12M depth 80mm

2x12M-3x12M depth 85mm

Boxes for masonry : yellow with 650°C glow-wire test resistance

Boxes for dry partition walls : green with 850°C glow-wire test resistance

Flush-mounting box depth 72mm classified 7-8-1 in accordance with IEC 60 670-24

Space under rails : 10mm

Distance between rails : 150mm

## 2. RANGE

All the catalogue items below are supplied without terminal block.

Cabinets supplied with flush-mounting box

Cat.No(s)	Number of rows	Number of modules per row	Box type	Door colour
E315PS6	1	6	Masonry	Transparent
E315PS54	3	18	Masonry	Transparent
E315PSC54	3	18	Dry partition	Transparent
E315PBS54	3	18	Masonry	White
E315PS72	4	18	Masonry	Transparent
E315PSC72	4	18	Dry partition	Transparent

Cabinets and flush-mounting boxes sold separately

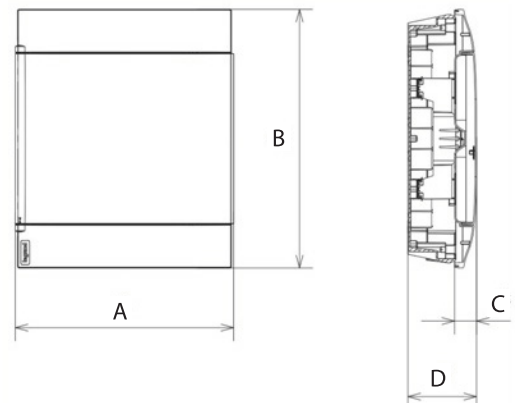
Cat.No(s)	Number of rows	Number of modules per row	Box type	Boxes to be associated	Door colour
E315P8	1	8	Masonry	F315S8	Transparent
E315P12	1	12		F315S12	
E315P24	2	12		F315S24	
E315P36D3	3	12		F315S36D3	

## 3. DIMENSIONS

### 3.1 Dimensions

Cabinets with Linea HABITA flush-mounted box

Cat.No(s)	Nb of rows	Nb of modules per row	A (mm)	B (mm)	C (mm)	D (mm)
E315PS6	1	6	220	215	30	102
E315PS54 E315PSC54 E315PBS54	3	18	436	615	33	105
E315PS72 E315PSC72	4	18	436	765	33	105

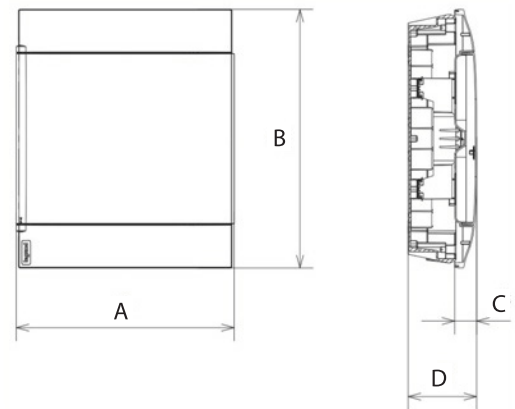


## Linea HABITA flush-mounting cabinets without terminal block

Cat. No(s) :  
E315PS6 - E315P8 - E315P12 - E315P24 - E315P36D3 -  
E315PS54 - E315PSC54 - E315PBS54 - E315PS72 - E315PSC72

Cabinets with Linea SPACE flush-mounted box

Cat.No(s)	Nb of rows	Nb of modules per row	A (mm)	B (mm)	C (mm)	D (mm)
E315P8	1	8	256	225	30	110
E315P12	1	12	328	235	32	112
E315P24	2	12	328	385	33	118
E315P36D3	3	12	328	535	33	118

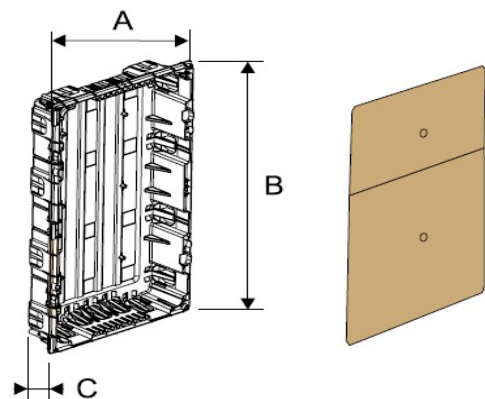


### 3.2 Flush-mounted box dimensions

Cabinets with Linea HABITA flush-mounted box

With protective plate to cut in the cardboard

Cat.No(s)	Number of rows	Number of modules per row	A (mm)	B (mm)	C (mm)
E315PS6	1	6	198	200	72
E315PS54 E315PSC54 E315PBS54	3	18	410	598	72
E315PS72 E315PSC72	4	18	410	749	72



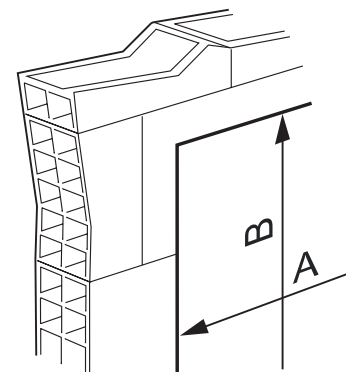
Cabinets with Linea SPACE flush-mounted box

With protective plate to cut in the cardboard

Cat.No(s)	Number of rows	Number of modules per row	A (mm)	B (mm)	C (mm)
E315P8	1	8	232	186	80
E315P12	1	12	304	222	80
E315P24	2	12	304	372	85
E315P36D3	3	12	304	522	85

### 3.3 Cut-out dimensions in masonry wall

Cat.No(s)	Box to be associated	Number of rows	Number of modules per row	A (mm)	B (mm)
E315PS6		1	6	202	215
E315P8	F315S8	1	8	238	225
E315P12	F315S12	1	12	310	235
E315P24	F315S24	2	12	310	385
E315P36D3	F315S36D3	3	12	310	535
E315PS54 E315PBS54		3	18	418	615
E315PS72		4	18	418	765



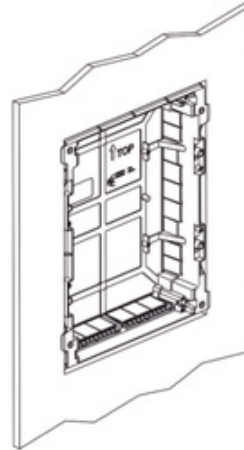
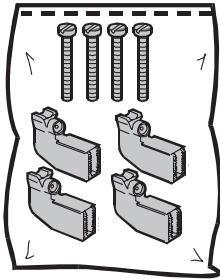
## Linea HABITA flush-mounting cabinets without terminal block

Cat. No(s) :  
E315PS6 - E315P8 - E315P12 - E315P24 - E315P36D3 -  
E315PS54 - E315PSC54 - E315PBS54 - E315PS72 - E315PSC72

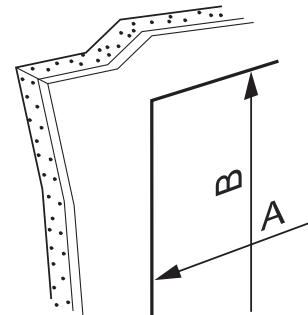
### 3.4 Cut-out dimensions in dry partition wall

Flush-mounting kit for dry partitions is supplied with references intended for this use

Tightening torque maximum at 0.8 Nm.



Cat.No(s)	Number of rows	Number of modules per row	A (mm)	B (mm)
E315PSC54	3	18	394	605
E315PSC72	4	18	394	755



## 4. GENERALES CHARACTERISTICS

### 4.1 Technical characteristics

- . Cover colour : white RAL 9003
- . Door colour : transparent (smoked) or white
- . Protection index :
  - IP40 - IK07 with closed door according to IEC 60 670-24 Edition 2.0 2011-03
  - IP42 - IK07 with closed door according to IEC 60529:2001
  - IP30 - IK07 without door
- . Self-extinguishing according to IEC 60695-2-11 Edition 2.0 2014-02 :
  - Boxes, covers, doors 650°C except boxes for dry partitions green 850°C
- . Tightening torque maxi of metal screws of cover : 1,2 Nm
- . Class II double insulation
- . Rated operating voltage : 400V AC - 50/60 Hz
- . Rated insulation voltage  $U_i$  : 400V AC - 50/60 Hz
- . Rated impulse withstand voltage :  $U_{imp} = 6kV$
- . Short-circuit current :  $I_{cc}$  max 10kA
- . Storage and installation temperature : -15°C à +70°C
- . Using temperature : -10°C à +40°C
- . Permissible loads : 40N per row
- . Enclosures classified GP

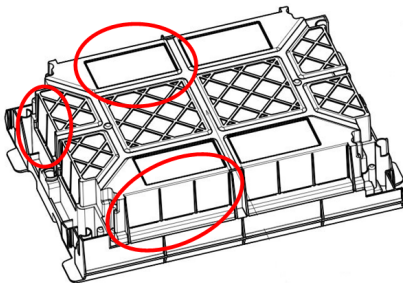
# Linea HABITA flush-mounting cabinets without terminal block

Cat. No(s) :  
E315PS6 - E315P8 - E315P12 - E315P24 - E315P36D3 -  
E315PS54 - E315PSC54 - E315PBS54 - E315PS72 - E315PSC72

. Maximum permissible current and dissipated power :

Cat.No(s)	Number of rows	Number of modules per row	Max permissible current (I <sub>na</sub> )	Dissipated power (P <sub>de</sub> )
E315PS6	1	6	40 A	12 W
E315P8	1	8	63 A	16 W
E315P12	1	12	63 A	23 W
E315P24	2	12	90 A	34 W
E315P36D3	3	12	90 A	40 W
E315PS54 E315PSC54 E315PBS54	3	18	90 A	57 W
E315PS72 E315PSC72	4	18	90 A	66W

## 4.2 Tube entries



### 4.2.1 Cabinet 6 Modules

Cat.No(s)	Number of rows	Number of modules per row	Ø25mm at the top of the box	Ø25mm at the bottom of the box	Ø20mm right side of the box	Ø20mm left side of the box	38x38mm square hole at the back of the box
E315PS6	1	6	3	3	4	4	4

### 4.2.2 Cabinet 8 Modules

Cat.No(s)	Number of rows	Number of modules per row	24x45mm oblong hole at the top of the box	30x42mm oblong hole at the top of the box	24x45mm oblong hole at the bottom of the box	30x42mm oblong hole at the bottom of the box	24x45mm oblong hole right side of the box	24x45mm oblong hole left side of the box	22x22mm square hole at the back of the box
F315S8	1	8	2	2	2	2	2	2	4

### 4.2.3 Cabinet 12 Modules

Cat.No(s)	Number of rows	Number of modules per row	36x45mm oblong hole at the top of the box	30x42mm oblong hole at the top of the box	36x45mm oblong hole at the bottom of the box	30x42mm oblong hole at the bottom of the box	36x45mm oblong hole right side of the box	36x45mm oblong hole left side of the box	30x30mm square hole at the back of the box
F315S12	1	12	2	3	2	3	2	2	6

### 4.2.4 Cabinet 12 Modules per row

Cat.No(s)	Nb of rows	Nb of modules per row	36x45mm oblong hole at the top of the box	30x42mm oblong hole at the top of the box	36x45mm oblong hole at the bottom of the box	30x42mm oblong hole at the bottom of the box	36x45mm oblong hole right side of the box	39x42mm oblong hole right side of the box	36x45mm oblong hole left side of the box	39x42mm oblong hole left side of the box	30x30mm square hole at the back of the box	24x30mm at the back of the box
F315S24	2	12	2	3	2	3	2	1	2	1	6	3
F315S36D3	3	12	2	3	2	3	2	2	2	2	8	4

## Linea HABITA flush-mounting cabinets without terminal block

Cat. No(s) :  
E315PS6 - E315P8 - E315P12 - E315P24 - E315P36D3 -  
E315PS54 - E315PSC54 - E315PBS54 - E315PS72 - E315PSC72

### 4.2.5 Cabinet 18 Modules per row

Cat.No(s)	Nb of rows	Nb of modules per row	Ø20mm at the top of the box	Ø30mm at the top of the box	Ø20mm at the bottom of the box	Ø30mm at the bottom of the box	Ø30mm right side of the box	Ø30mm left side of the box	Ø30mm at the back of the box	125x45mm at the back of the box	100x70mm at the back of the box
E315PS54 E315PSC54 E315PBS54	3	18	2	8	2	8	8	8	4	4	4
E315PS72 E315PSC72	4	18	2	8	2	8	11	11	4	6	4

### 4.3 Materials

- . Cover, flush-mounting box, white door : Polystyrene (PS)
- . Transporent door : Methacrylate Acrylonitrile Butadiene Styrene (MABS)
- . Rail support : Polycarbonate (PC)
- . Screw : steel
- . Rail : galvanised steel

### 5. COMPLIANCE AND APPROVALS

- . IEC 60 670-24 Editon 2.0 2011-03
- . Used to create assemblies in accordance with IEC 61 439-3 Edition 1.0 2012-02
- . IEC 60 695-2-11 : Edition 2014-09
- . RoHS
- . WEEE
- . REACH
- . PEP sheet

## Linea HABITA flush-mounting cabinets without terminal block

Cat. No(s) :  
E315PS6 - E315P8 - E315P12 - E315P24 - E315P36D3 -  
E315PS54 - E315PSC54 - E315PBS54 - E315PS72 - E315PSC72

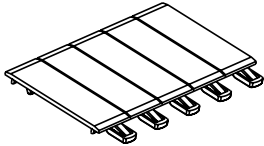
### 6. INSTALLATION ADD-ONS

#### 6.1 White RAL 9003 blanking plates

Cat.No. F215FP

Blanking plates 5 modules

Can be separated for each module and half-module

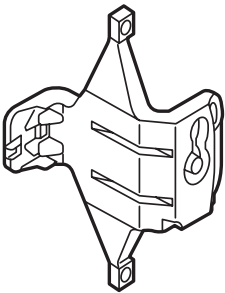


#### 6.2 Adapting kit for Linea HABITA for existing flush mounting boxes

Cat.No. E315KC

Adapting kit for Linea HABITA switchboards installed in existing flush mounting boxes range E215

Two rail supports supplied



#### 6.3 Keylock

Cat.No. F107NC1

Allows locking of the door of cabinet with a key

