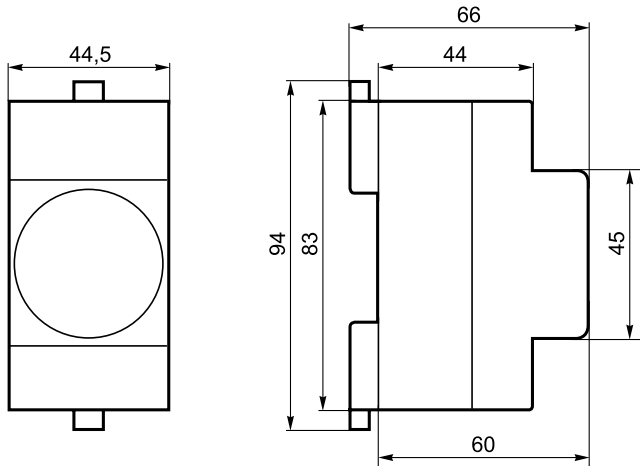


Index	Pages
1. Range .....	2
2. Dimensions .....	2
3. Electrical characteristics .....	2
4. Reference standards .....	2
5. Mechanical characteristics .....	2
6. Installation .....	2
7. Accessories .....	3
8. Protection index .....	3

**1. RANGE**

10/16 A - 250 V~  
- 2 P + E German standard

**2. OVERALL DIMENSIONS**



**3. ELECTRICAL CHARACTERISTICS**

- Thermal current : 10/16 A
- Rated voltage : 250 V
- Overvoltage category 1,2/50 μs : 4 kV~
- Dielectric strength : 2 kV~

**4. REFERENCE STANDARDS**

IEC 60884-1  
NF C 61-314

**5. MECHANICAL CHARACTERISTICS**

**- Environmental conditions**

Storage temperature : - 10° C to + 70° C  
Operating temperature : - 5° C to + 40° C

**- Mechanical resistance : IK04**

**- Materials**

Casing	Cover	Polycarbonate	Density	1,18 to 1,25
			Bending module	> 2,20 GPa
			Incandescent wire	850°C
			Colour	Grey RAL 7035
	Base	PolyPropylene	Density	0,88 to 0,92
			Bending module	> 1,3 GPa
			Incandescent wire	960°C
			Colour	Grey RAL 7035
	Claw	PolyAmide	Density	1,11 to 1,18
			Bending module	> 3 GPa
			Incandescent wire	850°C
			Colour	White RAL 9010
Screw	steel			
Contacts	copper			

**6. INSTALLATION**

**• Wiring**

**Conductors permitted :**

Flexible with end caps 1,5 to 6 mm<sup>2</sup>  
Rigid 1,5 to 10 mm<sup>2</sup>

**Tools required :**

Flat blade screwdriver Ø 4 to 5,5 mm  
Posidrive screwdriver PZ1

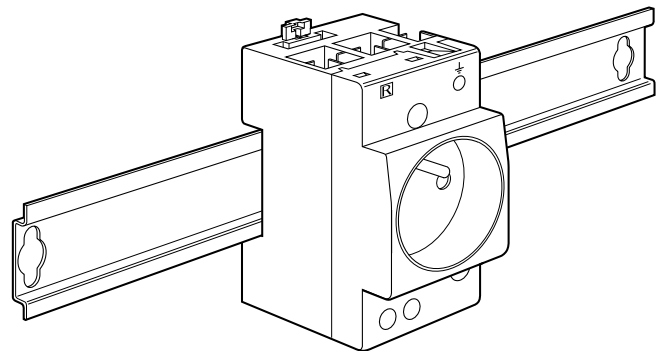
**Tightening torque :**

Min. 0,8 Nm  
Max. 1,8 Nm  
Recommended 1,2 Nm

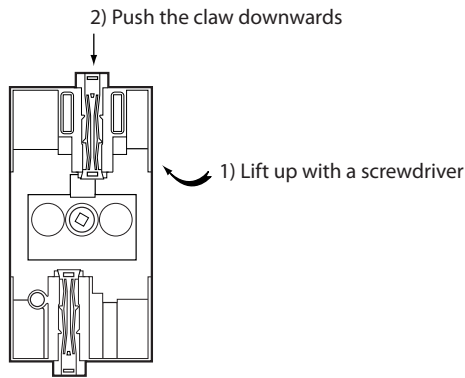
Cage terminals, with combined Posidrive, releasable and captive screws.  
Protection against direct contact : IP 2x  
Slot on the top of the socket to allow the busbar to pass through Busbar connection possible. For phase and neutral, connection from the bottom

**• Mounting**

- Mounted on symmetrical rail EN 50-022

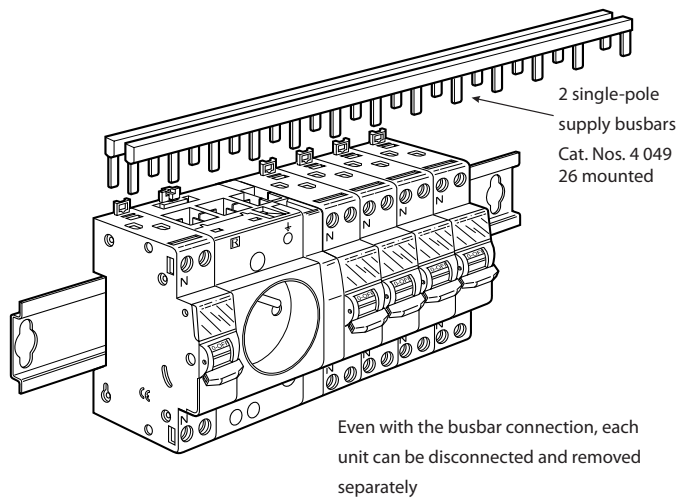


## Releasing the claws



### • Power supply from the bottom

- Busbar passed through and held in place



## 7. ACCESSORIES

### 7.1 Wiring accessories


Prong-type supply busbar Cat. Nos. 4 049 26

### 7.2 Miscellaneous accessories

Spacing unit Cat. Nos. 4 063 07

Mosaic 45 grid Cat. Nos. 0 802 99 for standard Mosaic socket

## 8. INSTALLATION

Classe II   
IP 2x