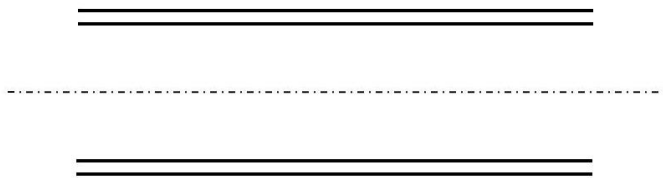


TAIX rigid conduits

Item codes : from 387750 to 387756



SUMMARY

PAGES

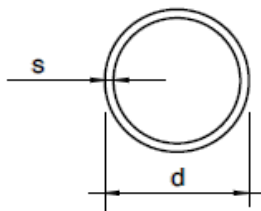
| | |
|---------------------------------------|---|
| 1. Description and applications | 1 |
| 2. Dimensions and compatibility | 1 |
| 3. Technical features | 1 |
| 4. Environmental profile | 2 |
| 5. Conformity and approvals | 2 |

1. DESCRIPTION AND APPLICATIONS

Stainless steel rigid conduit (electrical welded with zinc deposited on welding). Suitable static applications where are required very high mechanical and thermal performances. It has very high resistance to chemicals and corrosion and guarantee an IP68 protection when used with TILOK connectors. It's the ideal solution for energy, signal or power distribution in industrial, commercial, infrastructures and residential applications.

2. DIMENSIONS AND COMPATIBILITY

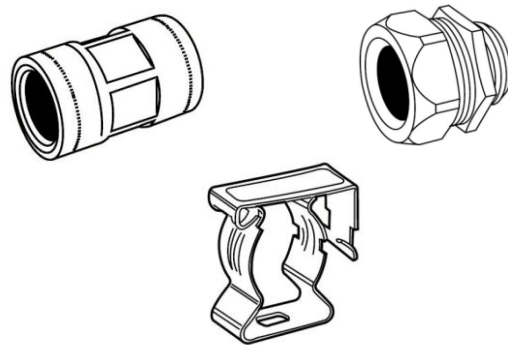
Dimensions and packaging:



| Item L=4 m | External diameter [mm] | S [mm] | L per piece [m] | Length tol. [mm] | Pack [m] |
|---------------|------------------------------|-----------|-----------------------|------------------------|-------------|
| 387750 | 16 | 1,0 | 4 | -0 / +5 | 4 |
| 387751 | 20 | 1,0 | 4 | -0 / +5 | 4 |
| 387752 | 25 | 1,0 | 4 | -0 / +5 | 4 |
| 387753 | 32 | 1,2 | 4 | -0 / +5 | 4 |
| 387754 | 40 | 1,2 | 4 | -0 / +5 | 4 |
| 387755 | 50 | 1,2 | 4 | -0 / +5 | 4 |
| 387756 | 63 | 1,5 | 4 | -0 / +5 | 4 |

Compatibility:

Connectors, fittings and accessories TILOK series, SILOK series, MECHANICAL series, metal accessories and equipments.



3. TECHNICAL FEATURES

Raw material:

Stainless steel AISI304 (according to UNI EN 10088 with brushed surface).

IEC 61386 classification:



| 1 st figure | 2 nd figure | 3 rd figure | 4 th figure |
|--|---|--|---|
| Resistance to compression | Resistance to shock | Maximum installation and normal use temperature | Minimum transport, installation and normal use temperature |
| 1 = very slight 2 = slight 3 = medium 4 = strong 5 = very strong | 125 N 320 N 750 N 1250 N 4000 N | 1 = very slight 2 = slight 3 = medium 4 = strong 5 = very strong | 0,5 J 1 J 2 J 6 J 20 J |
| | | 1 = +5 °C 2 = -5 °C 3 = -15 °C 4 = -25 °C 5 = -45 °C | 1 = +60 °C 2 = +90 °C 3 = +105 °C 4 = +120 °C 5 = +150 °C 6 = +250 °C 7 = +400 °C |

Resistance to chemical agents:

Represents the resistance to chemicals or external agents. The used test method consist of: immersion of the items under test in the chemical substance for 24 hours; once they were dried and conditioned at a constant temperature for other 24 hours, they were checked with the following examinations:

- Visual inspection to check the integrity
- Mechanical bending test
- Mechanical compression test
- IP protection test

| Industrial chemical agents | Resistance* |
|----------------------------|-------------|
| Unleaded petrol | ● |
| Industrial detergent | ● |
| Diesel fuel | ● |
| Lubricant oil | ● |
| Emulsifier solution | ● |
| Washing solvent | ● |

* resistances to chemicals are indicative. For any specific application or environment please contact Legrand technical offices

- Good resistance
- Medium resistance
- No resistance

Operating temperature:

Minimum: -25° C / -13° F

Maximum: +150° C / +302° F

Electric properties:


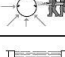
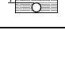
Electric continuity guaranteed

IP protection index:

IP68 with TILOK series connectors.

IP65 with MECHANICAL series connectors.

| 1 st digit IP | |
|---|--|
| Protection against the ingress of solid bodies | |
| 0 | No protection |
|  1 | Protection against solid bodies larger than 50 mm (e.g.: accidental contact) |
|  2 | Protection against solid bodies larger than 12 mm (e.g.: finger) |
|  3 | Protection against solid bodies larger than 2.5 mm |
|  4 | Protection against solid bodies larger than 1 mm |
|  5 | Protection against dust |
|  6 | Complete protection against dust |

| 2 nd digit IP | |
|--|--|
| Protection against the ingress of liquids | |
|  2 | Protection against drops of water falling at up to 15° from the vertical |
|  3 | Protection against drops of rain water at up to 60° from the vertical |
|  4 | Protection against sprays of water from all directions |
|  5 | Protection against jets of water from all directions |
|  6 | Protection against jets of water of similar force to heavy seas |
|  7 | Protection against the effects of immersion |
|  8 | Protection against prolonged effects of immersion under pressure |

4. ENVIRONMENTAL PROFILE

All the items identified in this technical sheet respect in terms of concentration of substances and raw materials the European legislations about dangerous and forbidden substances and chemical preparations.

5. CONFORMITY AND APPROVALS



All the items identified in this technical sheet are compliant to all the requirements and the regulations currently in force in the European Union about safety, health and environmental issues.



IMQ mark: items from 387750 to 387756.



RINA mark: items from 387750 to 387756.

For technical documentation, test reports, commercial information or any other needs please refer to the local LEGRAND office.