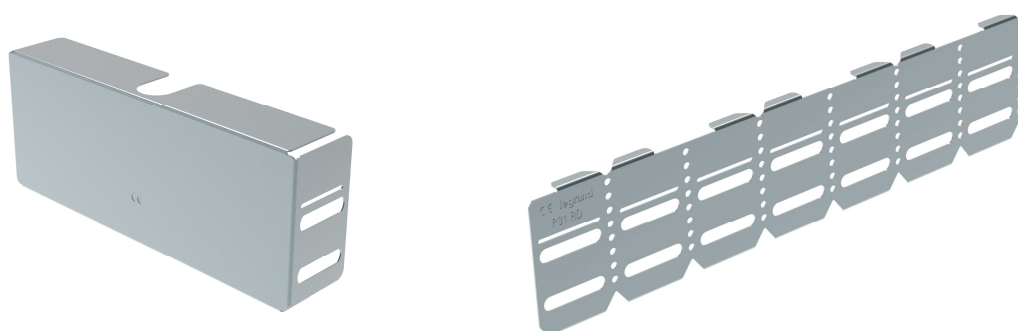


## P31 – END CAP AND REDUCER H75

Reference(s): X9C71../72../73../74../75../76../77../78..(Z,C,G,L)  
X9S75..(Z,C,L)



### 1. USE

End cap and reducer for cable trays in H75,

### 2. RANGE END CAP

#### ■ 2.1 End cap H75 PG

Description	Code	Weight		Width		Thickness		Coating
		(Kg)	(lb)	(mm)	(inch)	(mm)	(inch)	
P31-END CAP 75X75 PG	X9C71Z	0,08	0,18	81	3,19	0,7	0,03	PG
P31-END CAP 75X100 PG	X9C72Z	0,10	0,21	104	4,09	0,7	0,03	PG
P31-END CAP 75X150 PG	X9C73Z	0,14	0,30	154	6,06	0,7	0,03	PG
P31-END CAP 75X200 PG	X9C74Z	0,17	0,38	204	8,03	0,7	0,03	PG
P31-END CAP 75X300 PG	X9C75Z	0,25	0,54	304	11,97	0,7	0,03	PG
P31-END CAP 75X400 PG	X9C76Z	0,32	0,71	404	15,91	0,7	0,03	PG
P31-END CAP 75X500 PG	X9C77Z	0,40	0,88	504	19,84	0,7	0,03	PG
P31-END CAP 75X600 PG	X9C78Z	0,47	1,04	604	23,78	0,7	0,03	PG

#### ■ 2.2 End cap H75 HDG

Description	Code	Weight		Width		Thickness		Coating
		(Kg)	(lb)	(mm)	(inch)	(mm)	(inch)	
P31-END CAP 75X75 HDG	X9C71C	0,09	0,19	81	3,19	0,7	0,03	HDG
P31-END CAP 75X100 HDG	X9C72C	0,11	0,24	104	4,09	0,7	0,03	HDG
P31-END CAP 75X150 HDG	X9C73C	0,15	0,33	154	6,06	0,7	0,03	HDG
P31-END CAP 75X200 HDG	X9C74C	0,19	0,42	204	8,03	0,7	0,03	HDG
P31-END CAP 75X300 HDG	X9C75C	0,27	0,60	304	11,97	0,7	0,03	HDG
P31-END CAP 75X400 HDG	X9C76C	0,35	0,78	404	15,91	0,7	0,03	HDG
P31-END CAP 75X500 HDG	X9C77C	0,44	0,96	504	19,84	0,7	0,03	HDG
P31-END CAP 75X600 HDG	X9C78C	0,52	1,14	604	23,78	0,7	0,03	HDG

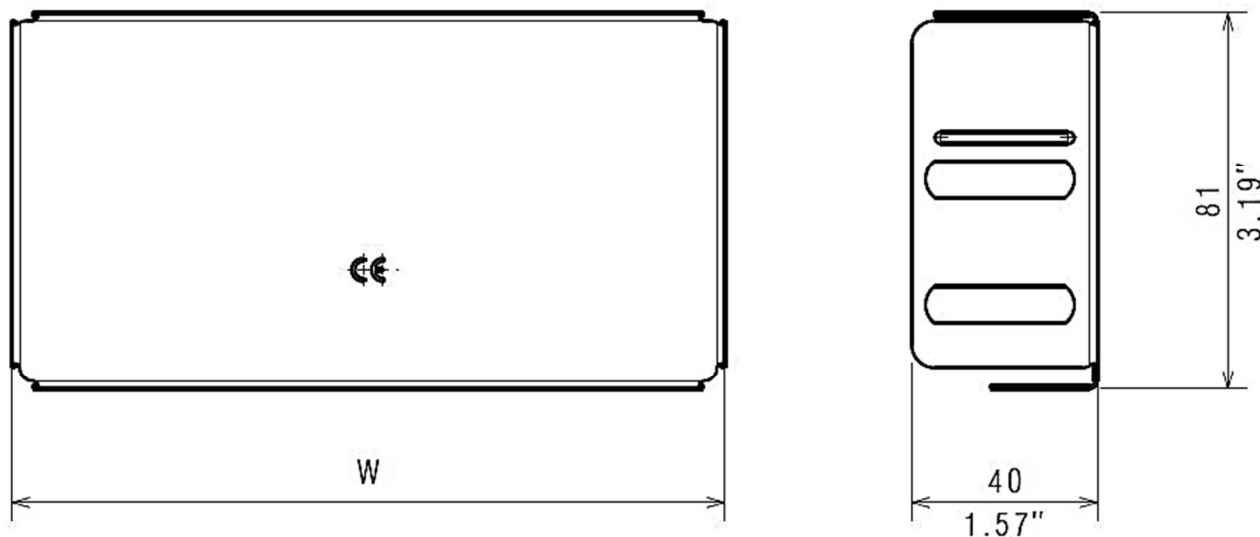
■ 2.3 End cap H75 BLUE

Description	Code	Weight		Width		Thickness		Coating
		(Kg)	(lb)	(mm)	(inch)	(mm)	(inch)	
P31-END CAP 75X75 BLUE	X9C71G	0,08	0,18	81	3,19	0,7	0,03	BLUE
P31-END CAP 75X100 BLUE	X9C72G	0,10	0,21	104	4,09	0,7	0,03	BLUE
P31-END CAP 75X150 BLUE	X9C73G	0,14	0,30	154	6,06	0,7	0,03	BLUE
P31-END CAP 75X200 BLUE	X9C74G	0,17	0,38	204	8,03	0,7	0,03	BLUE
P31-END CAP 75X300 BLUE	X9C75G	0,25	0,54	304	11,97	0,7	0,03	BLUE
P31-END CAP 75X400 BLUE	X9C76G	0,32	0,71	404	15,91	0,7	0,03	BLUE
P31-END CAP 75X500 BLUE	X9C77G	0,40	0,88	504	19,84	0,7	0,03	BLUE
P31-END CAP 75X600 BLUE	X9C78G	0,47	1,04	604	23,78	0,7	0,03	BLUE

■ 2.4 End cap H75 SS316L

Description	Code	Weight		Width		Thickness		Coating
		(Kg)	(lb)	(mm)	(inch)	(mm)	(inch)	
P31-END CAP 75X75 SS316L	X9C71L	0,08	0,18	81	3,19	0,7	0,03	SS316L
P31-END CAP 75X100 SS316L	X9C72L	0,10	0,21	104	4,09	0,7	0,03	SS316L
P31-END CAP 75X150 SS316L	X9C73L	0,14	0,30	154	6,06	0,7	0,03	SS316L
P31-END CAP 75X200 SS316L	X9C74L	0,17	0,38	204	8,03	0,7	0,03	SS316L
P31-END CAP 75X300 SS316L	X9C75L	0,25	0,54	304	11,97	0,7	0,03	SS316L
P31-END CAP 75X400 SS316L	X9C76L	0,32	0,71	404	15,91	0,7	0,03	SS316L
P31-END CAP 75X500 SS316L	X9C77L	0,40	0,88	504	19,84	0,7	0,03	SS316L
P31-END CAP 75X600 SS316L	X9C78L	0,47	1,04	604	23,78	0,7	0,03	SS316L

3. DIMENSIONS END CAP (mm/inch)



**4. RANGE REDUCER**

■ 4.1 Reducer H75 PG

Description	Code	Weight		Length		Thickness		Coating
		(Kg)	(lb)	(mm)	(inch)	(mm)	(inch)	
P31-REDUCER 400/500/600MM H75 PG	X9S75Z	0,42	0,93	795	31,30	0,95	0,04	PG

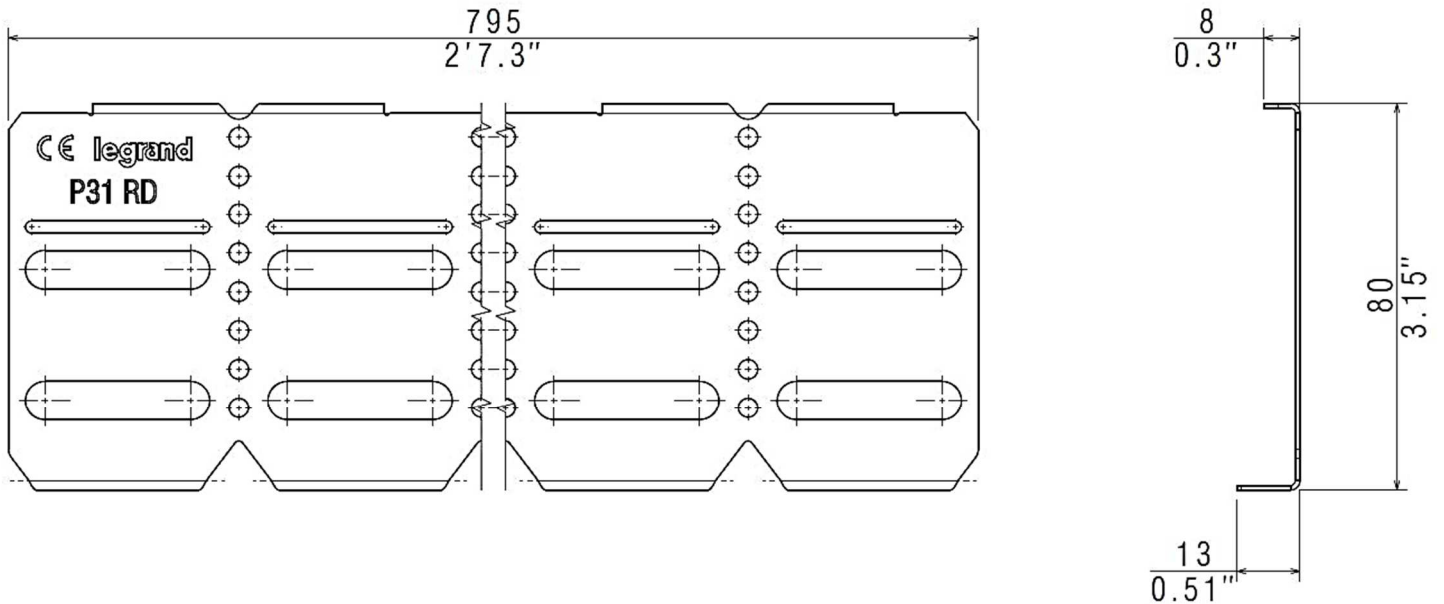
■ 4.2 Reducer H75 HDG

Description	Code	Weight		Length		Thickness		Coating
		(Kg)	(lb)	(mm)	(inch)	(mm)	(inch)	
P31-REDUCER 400/500/600MM H75 HDG	X9S75C	0,46	1,02	795	31,30	0,95	0,04	HDG

■ 4.3 Reducer H75 SS316L

Description	Code	Weight		Length		Thickness		Coating
		(Kg)	(lb)	(mm)	(inch)	(mm)	(inch)	
P31-REDUCER 400/500/600MM H75 SS316L	X9S75L	0,44	0,97	795	31,30	1,00	0,04	SS316L

**5. DIMENSIONS REDUCER (mm/inch)**



## 6. INSTALLATION

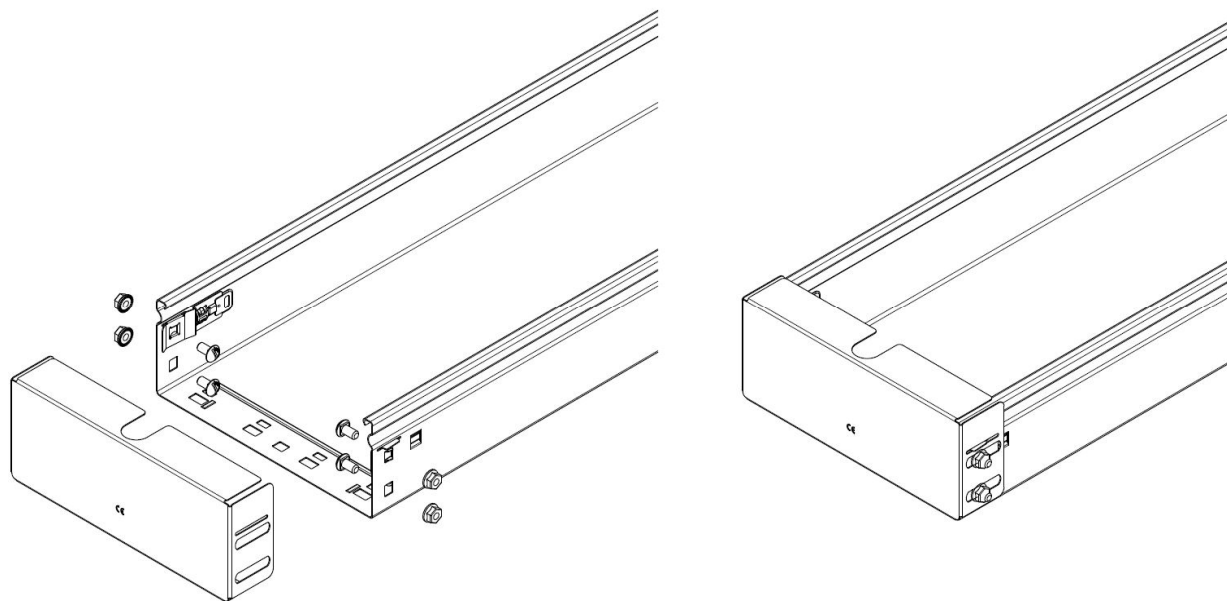
### ■ 6.1 Screw

Use screws M6x12 tightened at 11Nm

Reference(s): 341895/ 03V1M610Z (PG)  
485035 (Zn-Ni)  
346895/ 03V1M610L (SS316L)

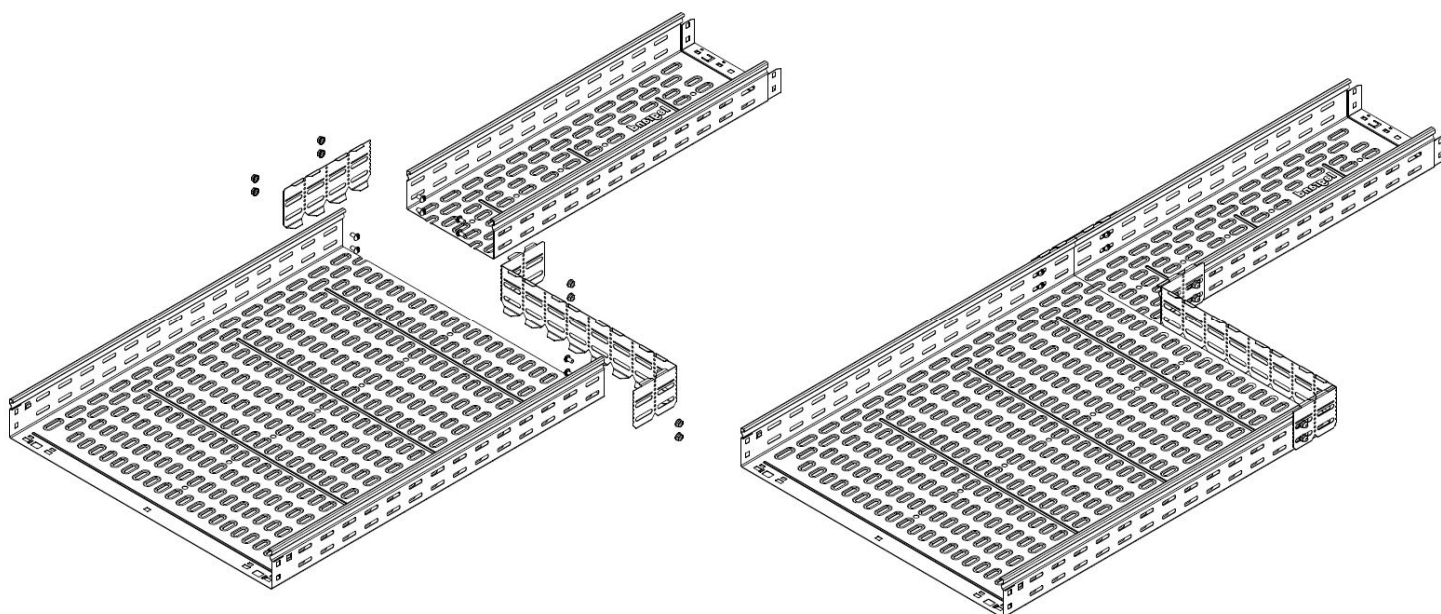
### ■ 6.2 End cap installation

The End-Cap in height 75 is assembled using 4 screws M6x12 on the sides of the cable tray.



### ■ 6.3 Reducer installation

Breaking a small part of and bending the larger part creates the parts needed to reduce the cable tray width. Mount each part using min. 4 screws M6x12.



**7. TECHNICAL DATA**■ **7.1 Climatic characteristics**

Storage and operating temperature: - 20° C à + 120° C

■ **7.2 Material characteristics**

Material finish	Material	Standard	Resistance class against corrosion
PG	DX51D + Z200	EN 10346	Classe 3 - CEI 61537
BLUE	DX51D + Z200	EN 10346	Classe 3 - CEI 61537
HDG	DC 01	EN 10130	Classe 6 - CEI 61537
SS304	X5CrNi18-10	EN 10 088-2	Classe 9A - CEI 61537
SS316L	X2CrNiMo17-12-2	EN 10 088-2	Classe 9B - CEI 61537

**8. CONFORMITY - CERTIFICATION**

Comply with CEI 61537 Cable tray systems

Certification: CE, IMQ