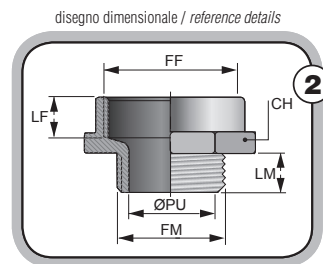
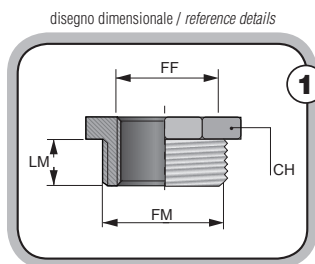
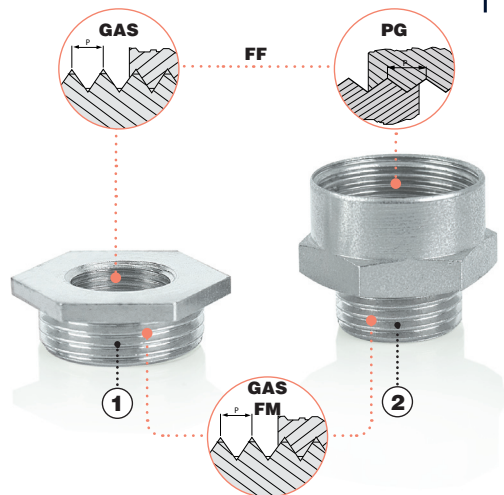


Riduzioni GAS-GAS/GAS-PG

Reducers GAS-GAS/GAS-PG



Settori di Impiego / Areas of application



Caratteristiche / Characteristics:

Una vasta gamma di accessori in ottone nichelato per utilizzare al meglio la nostra raccorderia, per risolvere i più disparati problemi di accoppiamento dei filetti, che possono presentarsi durante l'operatività giornaliera sugli impianti

A great variety of accessories made of nickel-brass to exploit at maximum level our fittings and to solve the great deal of combinations that can occur during the daily work on installations

Riduzioni GAS maschio/GAS femmina Reducers GAS male/GAS female

Caratteristiche comuni per entrambi i prodotti
Common features for both products

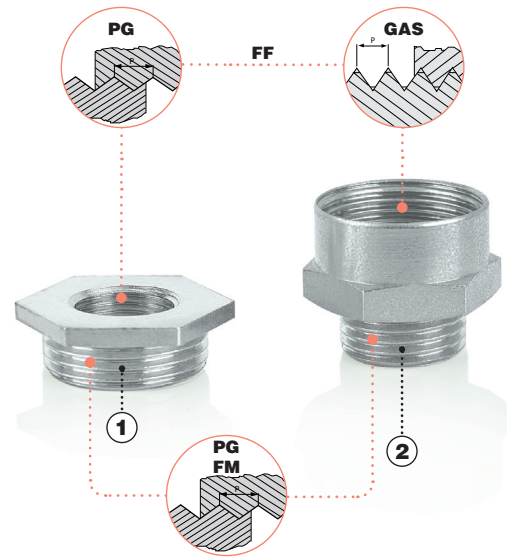
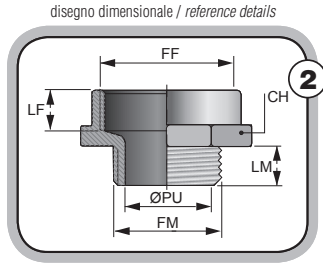
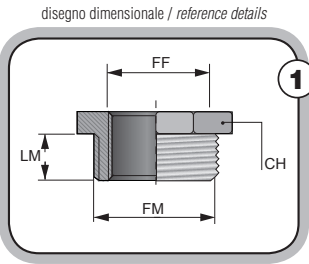
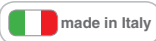
Riduzioni GAS maschio/PG femmina Reducers GAS male/PG female

Codice Code	Figura Image	Filetto		Esagono Hexagon CH	LM	LF	Ø PU	Confezione Package	Codice Code	Figura Image	Filetto	
		maschio Male thread GAS ISO 228 FM	femmina Female thread GAS ISO 228 FF								maschio Male thread GAS ISO 228 FM	femmina Female thread PG DIN 40430 FF
60001	1	1/4"	1/8"	20	6,0	7,0	9,5	50	60051	2	1/4"	7
60002	2	1/4"	3/8"	20	6,0	7,0	9,5	50	60052	2	1/4"	9
60003	1	3/8"	1/4"	20	6,0	7,0	13,0	50	60053	2	3/8"	9
60000	2	1/4"	1/2"	24	7,0	8,0	9,5	50	-	-	-	-
60004	2	3/8"	1/2"	24	6,0	9,0	13,0	50	60054	2	3/8"	11
60005	1	1/2"	1/4"	24	8,0	7,0	16,5	50	60055	2	1/2"	11
60006	1	1/2"	3/8"	24	8,0	7,0	16,5	50	60056	2	1/2"	13,5
60007	2	1/2"	3/4"	24	8,0	9,0	16,5	50	60057	2	1/2"	16
60008	1	3/4"	3/8"	30	8,0	-	-	50	60058	1	3/4"	13,5
60009	1	3/4"	1/2"	30	8,0	-	-	50	60059	1	3/4"	16
60010	2	3/4"	1"	30	8,0	9,0	21,5	50	60060	2	3/4"	21
60011	1	1"	1/2"	35	11,0	-	-	25	60061	1	1"	21
60012	1	1"	3/4"	40	11,0	9,0	27,5	25	60062	2	1"	29
60013	2	1"	1" 1/4	45	11,0	12,0	27,5	10	-	-	-	-
60019	1	1" 1/4	3/4"	45	11,0	-	-	10	-	-	-	-
60014	1	1" 1/4	1"	45	11,0	-	-	10	60063	1	1" 1/4	29
60015	2	1" 1/4	1" 1/2	51	11,0	12,0	35,0	10	60064	2	1" 1/4	36
60020	1	1" 1/2	1"	51	11,0	-	-	5	-	-	-	-
60016	1	1" 1/2	1" 1/4	51	11,0	12,0	42,0	5	60065	2	1" 1/2	36
60017	2	1" 1/2	2"	64	11,0	12,0	42,0	5	60066	2	1" 1/2	42
60021	1	2"	1"	64	11,0	-	-	5	-	-	-	-
60018	1	2"	1" 1/2	64	11,0	-	-	5	60067	1	2"	42
-	-	-	-	64	11,0	12,0	52,0	5	60068	2	2"	48

Caratteristiche comuni per entrambi i prodotti
Common features for both products

Riduzioni PG-PG/PG-GAS

Reducers PG-PG/PG-GAS



Settori di Impiego / Areas of application



Caratteristiche / Characteristics:

Una vasta gamma di accessori in ottone nichelato per utilizzare al meglio la nostra raccorderia, per risolvere i più disparati problemi di accoppiamento dei filetti, che possono presentarsi durante l'operatività giornaliera sugli impianti

A great variety of accessories made of nickel-brass to exploit at maximum level our fittings and to solve the great deal of combinations that can occur during the daily work on installations

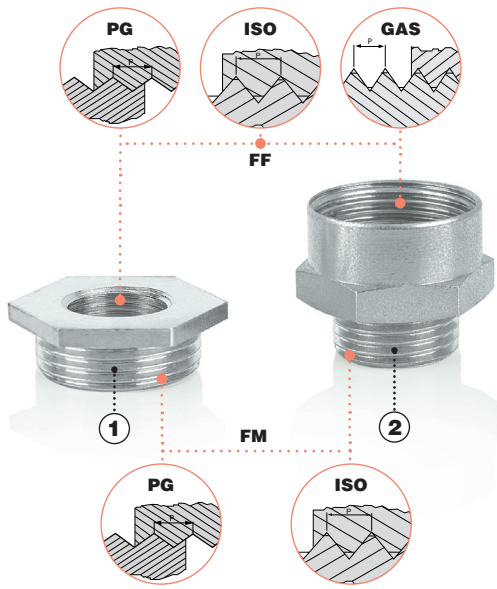
Riduzioni PG maschio/PG femmina
Reducers PG male/PG female

Caratteristiche comuni per entrambi i prodotti
Common features for both products

Riduzioni PG maschio/GAS femmina
Reducers PG male/GAS female

Codice Code	Figura Image	Filetto maschio Male thread PG DIN 40430	Filetto femmina Female thread PG DIN 40430	Esagono Hexagon CH	LM	LF	Ø PU	Confezione Package	Codice Code	Figura Image	Filetto maschio Male thread PG DIN 40430	Filetto femmina Female thread GAS ISO 228
		FM	FF								FM	FF
-	-	-	-	20	6,0	7,0	9,5	50	60151	2	7	1/4"
60101	1	9	7	20	6,0	7,0	12,0	50	60152	2	9	1/4"
60102	2	9	11	20	6,0	7,0	12,0	50	60153	2	9	3/8"
60103	2	9	13,5	24	6,0	7,0	12,0	50	-	-	-	-
60104	1	11	7	20	6,0	-	-	50	60154	1	11	1/4"
60105	1	11	9	20	6,0	7,0	15,0	50	60155	2	11	3/8"
60106	2	11	13,5	24	6,0	9,0	15,0	50	60156	2	11	1/2"
60107	2	11	16	24	6,0	7,0	15,0	50	-	-	-	-
60108	1	13,5	9	24	6,0	-	-	50	60157	1	13,5	1/4"
60109	1	13,5	11	24	6,0	-	-	50	60158	1	13,5	3/8"
60110	2	13,5	16	24	6,0	9,0	16,5	50	60159	2	13,5	1/2"
-	-	-	-	30	6,0	9,0	16,5	50	60160	2	13,5	3/4"
60111	2	16	13,5	24	6,0	7,0	19,0	50	60161	1	16	1/4"
-	-	-	-	24	6,0	-	-	50	60162	1	16	3/8"
-	-	-	-	24	8,0	9,0	19,0	50	60163	2	16	1/2"
60112	2	16	21	30	8,0	9,0	19,0	50	60164	2	16	3/4"
60113	1	21	13,5	30	8,0	-	-	50	60165	1	21	1/2"
60114	1	21	16	30	8,0	9,0	24,5	25	60166	2	21	3/4"
-	-	-	-	35	8,0	9,0	24,5	25	60167	2	21	1"
60115	2	21	29	40	8,0	9,0	24,5	25	-	-	-	-
60116	1	29	21	40	8,0	-	-	25	60168	1	29	3/4"
-	-	-	-	40	8,0	-	-	25	60169	1	29	1"
-	-	-	-	45	11,0	12,0	33,0	10	60170	2	29	1" 1/4
60117	2	29	36	52	11,0	12,0	33,0	10	-	-	-	-
60118	1	36	29	52	11,0	-	-	5	60171	1	36	1" 1/4
-	-	-	-	52	11,0	12,0	42,0	5	60172	2	36	1" 1/2
60119	2	36	42	60	11,0	12,0	42,0	5	-	-	-	-
60120	1	42	36	60	11,0	-	-	5	60173	1	42	1" 1/2
60121	2	42	48	65	11,0	12,0	50,0	5	60174	2	42	2"
60122	1	48	42	65	11,0	-	-	5	60175	1	48	1" 1/2
-	-	-	-	65	11,0	12,0	52,0	5	60176	2	48	2"

Caratteristiche comuni per entrambi i prodotti
Common features for both products

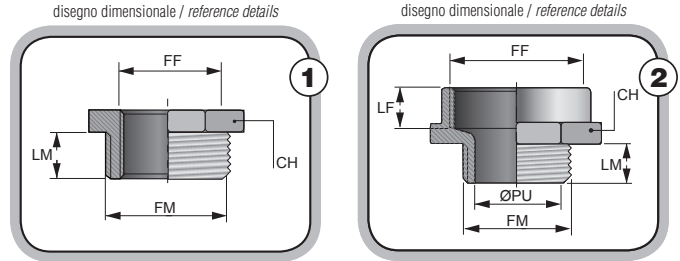


Riduzioni

ISO-GAS/ISO-PG/PG-ISO/ISO-ISO

Reductions

ISO-GAS/ISO-PG/PG-ISO/ISO-ISO



Settori di Impiego / Areas of application



Caratteristiche / Characteristics:

Una vasta gamma di accessori in ottone nichelato per utilizzare al meglio la nostra raccorderia, per risolvere i più disparati problemi di accoppiamento dei filetti, che possono presentarsi durante l'operatività giornaliera sugli impianti

A great variety of accessories made of nickel-brass to exploit at maximum level our fittings and to solve the great deal of combinations that can occur during the daily work on installations

Riduzioni ISO maschio/GAS femmina
Reducers ISO male/GAS female

Caratteristiche comuni per entrambi i prodotti
Common features for both products

Riduzioni ISO maschio/PG femmina
Reducers ISO male/PG female

Codice Code	Figura Image	Filetto maschio Male thread		Filetto femmina Female thread		Esagono Exagon CH	LM	LF	Ø PU	Confezione Package	Codice Code	Figura Image	Filetto maschio Male thread		Filetto femmina Female thread	
		METRICO ISO 965 FM	GAS ISO 228 FF	METRICO ISO R68 FM	PG DIN 40430 FF											
60201	1	M20*1,5	3/8"	24,0	8,0	-	-	-	50	60210	2	M20*1,5	-	-	-	-
60202	2	M20*1,5	1/2"	24,0	7,0	8,0	16,5	50	-	-	-	-	-	-	-	-
-	-	-	-	30,0	7,0	8,0	16,5	50	60226	2	M20*1,5	-	-	21	-	-
60203	1	M25*1,5	1/2"	30,0	8,0	-	-	50	60211	1	M25*1,5	-	-	13,5	-	-
60248	1	M25*1,5	3/8"	30,0	8,0	-	-	50	-	-	-	-	-	-	-	-
61202	2	M20*1,5	3/4"	30,0	8,0	-	-	50	60227	1	M25*1,5	-	-	16	-	-
60204	1	M32*1,5	3/4"	35,0	8,0	-	-	25	60212	1	M32*1,5	-	-	21	-	-
60200	1	M32*1,5	1"	35,0	8,0	-	-	25	-	-	-	-	-	-	-	-
60205	1	M40*1,5	1"	45,0	11,0	-	-	10	60213	2	M40*1,5	-	-	29	-	-
60206	2	M40*1,5	1 1/4"	45,0	11,0	11,0	34,5	10	-	-	-	-	-	-	-	-
-	-	-	-	52,0	11,0	-	-	10	60228	1	M50*1,5	-	-	29	-	-
60207	1	M50*1,5	1 1/4"	50,0	11,0	-	-	10	60214	2	M50*1,5	-	-	36	-	-
60208	2	M50*1,5	1 1/2"	50,0	11,0	11,0	45,0	5	-	-	-	-	-	-	-	-
-	-	-	-	60,0	11,0	11,0	45,0	10	60247	2	M50*1,5	-	-	42	-	-
-	-	-	-	65,0	11,0	-	-	5	61217	1	M63*1,5	-	-	48	-	-

Riduzioni PG maschio/ISO femmina
Reducers PG male/ISO female

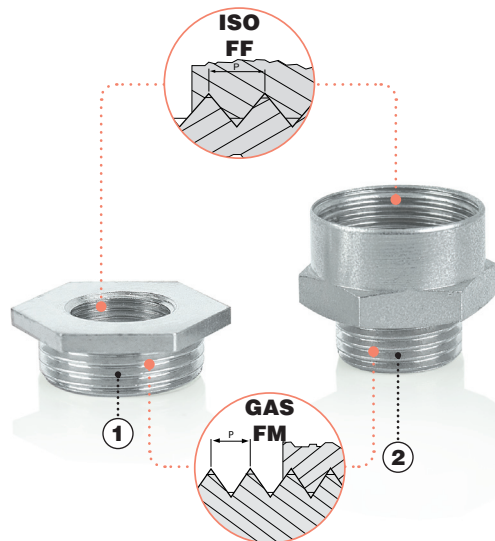
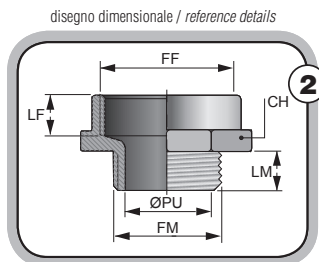
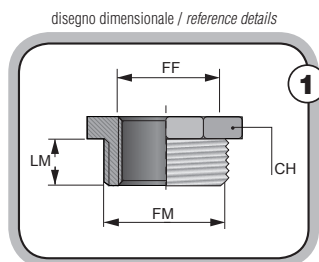
Riduzioni ISO maschio/ISO femmina
Reducers ISO male/ISO female

Codice Code	Figura Image	Filetto maschio Male thread		Filetto femmina Female thread		Esagono Exagon CH	LM	LF	Ø PU	Confezione Package	Codice Code	Figura Image	Filetto maschio Male thread		Filetto femmina Female thread	
		PG DIN 40430 FM	METRICO ISO 965 FF	METRICO ISO R68 FM	METRICO ISO R68 FF											
60250	2	11	M16*1,5	20,0	6,0	6,0	15,0	50	-	-	-	-	-	-	-	-
-	-	-	-	20,0	6,0	-	-	50	61219	1	M16*1,5	-	-	M12*1,5	-	-
60251	1	13,5	M16*1,5	24,0	8,0	-	-	50	60220	1	M20*1,5	-	-	M16*1,5	-	-
60252	2	13,5	M20*1,5	24,0	7,0	8,0	16,5	50	-	-	-	-	-	-	-	-
60253	2	16	M20*1,5	24,0	7,0	8,0	19,0	50	-	-	-	-	-	-	-	-
-	-	-	-	30,0	8,0	-	-	50	61221	-	M25*1,5	-	-	M12*1,5	-	-
-	-	-	-	30,0	8,0	-	-	50	61220	-	M25*1,5	-	-	M16*1,5	-	-
60254	2	16	M25*1,5	30,0	8,0	8,0	17,5	50	60221	1	M25*1,5	-	-	M20*1,5	-	-
60255	1	21	M25*1,5	35,0	8,0	-	-	25	60222	1	M32*1,5	-	-	M25*1,5	-	-
60256	1	29	M32*1,5	40,0	11,0	-	-	10	-	-	-	-	-	-	-	-
-	-	-	-	45,0	11,0	-	-	10	60223	1	M40*1,5	-	-	M32*1,5	-	-
60257	1	36	M40*1,5	50,0	11,0	-	-	10	60224	1	M50*1,5	-	-	M40*1,5	-	-
-	-	-	-	60,0	11,0	11,0	34,5	5	60267	2	M40*1,5	-	-	M50*1,5	-	-
-	-	-	-	64,0	11,0	-	-	5	60268	1	M63*1,5	-	-	M40*1,5	-	-
-	-	-	-	64,0	11,0	-	-	5	60265	1	M63*1,5	-	-	M50*1,5	-	-

Caratteristiche comuni per entrambi i prodotti
Common features for both products

Riduzioni GAS-ISO

Reducers GAS-ISO



Settori di Impiego / Areas of application



Caratteristiche / Characteristics:

Una vasta gamma di accessori in ottone nichelato per utilizzare al meglio la nostra raccorderia, per risolvere i più disparati problemi di accoppiamento dei filetti, che possono presentarsi durante l'operatività giornaliera sugli impianti

A great variety of accessories made of nickel-brass to exploit at maximum level our fittings and to solve the great deal of combinations that can occur during the daily work on installations

Riduzioni GAS maschio/ISO femmina

Reducers GAS male/ISO female

Codice Code	Figura Image	Filetto maschio Male thread GAS ISO 228 FM	Filetto femmina Female thread METRICO ISO 965 FF	Esagono Hexagon CH	LM	LF	Passaggio utile Cable diameter Ø PU	Confezione Package
				mm	mm	mm	mm	N° pz.
60230	2	1/4"	M16*1,5	20	6,0	6,0	9,0	50
60231	2	3/8"	M16*1,5	20	6,0	6,0	9,0	50
60232	2	3/8"	M20*1,5	24	7,0	8,0	13,0	50
60233	1	1/2"	M16*1,5	24	8,0	-	-	50
60234	2	1/2"	M20*1,5	24	7,0	8,0	16,5	50
60235	2	1/2"	M25*1,5	30	7,0	8,0	16,5	50
60236	2	1/2"	M32*1,5	35	7,0	8,0	16,5	25
60237	1	3/4"	M20*1,5	30	8,0	-	-	50
60238	2	3/4"	M25*1,5	30	7,0	8,0	21,5	50
60239	2	3/4"	M32*1,5	35	7,0	8,0	21,5	25
60240	1	1"	M25*1,5	35	8,0	-	-	25
60241	2	1"	M32*1,5	35	7,0	8,0	27,5	25
60242	2	1"	M40*1,5	45	11,0	11,0	27,5	10
60243	1	1"1/4	M32*1,5	45	11,0	-	-	10
60244	2	1"1/4	M40*1,5	45	11,0	11,0	36,0	10
60245	2	1"1/2	M40*1,5	50	11,0	11,0	42,0	5
60246	2	1"1/2	M50*1,5	52	11,0	11,0	42,0	5