

Data sheet

050DSL

Dispositivo di sicurezza lampeggiante, 110-690V



Features

Range	050 Segnalazione ed Illuminazione Quadri Elettrici
Product	Componenti singoli
Type	Dispositivo di sicurezza lampeggiante
Item code	050DSL
Description	Dispositivo di sicurezza lampeggiante, 110-690V
Colour	Giallo
Weight - gr	108,000
Custom tariff no.	85365080
GTIN	8052878048853

Technical data

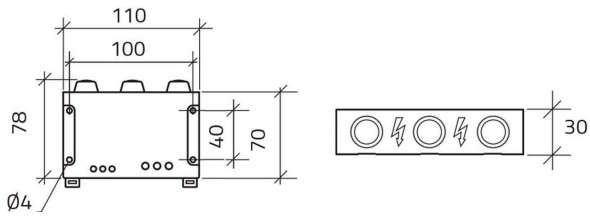
Approvals	CE, UL, CSA
Compliance to EMC standards	EN61000-4-2,EN61000-4-3,EN61000-4-4,EN61000-4-5
Compliance to EMC standards	EN61000-4-6,EN61000-4-11,EN61000-6-2,EN61000-6-3
Compliance to EMC standards	EN50014-1,EN50082-2,EN55014,EN 55022
Compliance to directives	2014/35/UE, 2006/42/EC, 2014/30/UE, RoHS 2002/95
Operating temperatures	-25° ± +65°C
Protection degree	IP20 (IEC-EN60529)
Protection against impact	IK03 (IEC-EN62262)
Housing material	ABS
Terminal screw	Tightening torque 0.8±1 Nm (IEC-EN60947-1)
Terminal screw material	Zinc plated steel
Current consumption	10mA
Rated insulation voltage	Ui 690V - Uimp 4KV (IEC-EN60947-1)
Flashing safety device to detect voltage presence	It reveals the lack of one or more phases
Working voltage 3 phase circuit	220±690V 50-60Hz
Working voltage single phase circuit	110±400V 50-60Hz
Warranty period	18 months

Data sheet

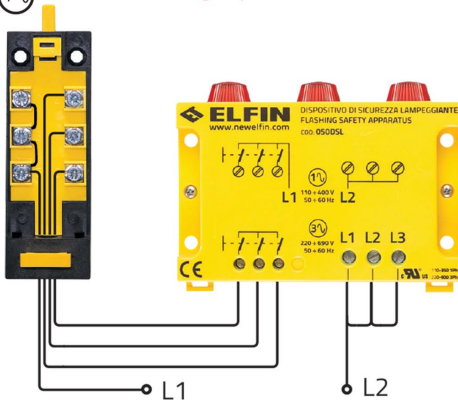
050DSL

Dispositivo di sicurezza lampeggiante, 110-690V

Technical drawings



Ⓜ Monofase / Single-phase



Ⓝ Trifase / Three-phase

